

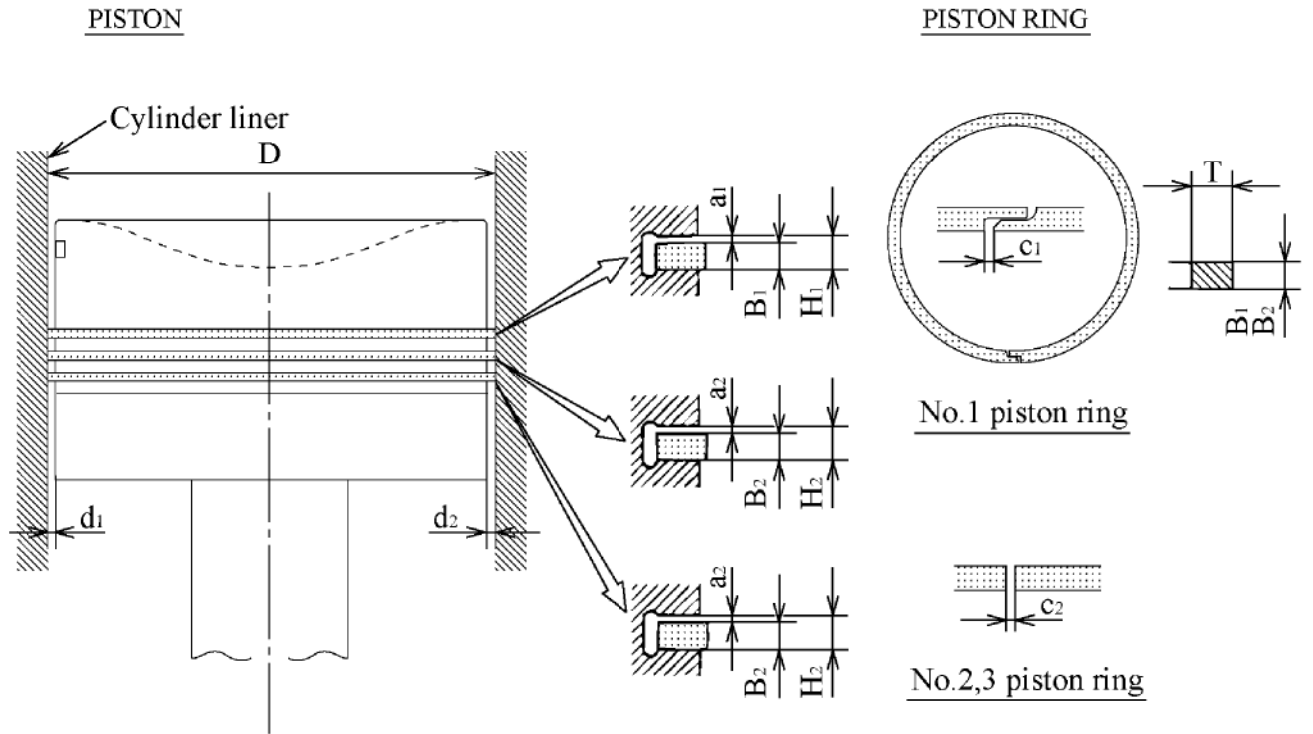
MITSUBISHI
UEC45LSE/-Eco

Clearance
Table

Piston and Piston Ring

GROUP 0060

ITEM 04



UNIT : mm

Nominal dimension	Standard clearance	Limit	Remarks
—	$a_1 = 0.43 \sim 0.50$	0.86	
—	$a_2 = 0.28 \sim 0.35$	0.86	
—	$c_1 = 4.10 \sim 4.40$	—	
—	$c_2 = 3.20 \sim 3.50$	—	
—	$d_1 + d_2 = 0.70 \sim 0.827$	—	Piston skirt-Cylinder liner
$H_1 = 13.43 \sim 13.47$	—	—	
$H_2 = 11.28 \sim 11.32$	—	—	
$T = \text{New } 14.85 \sim 15.15$	—	13.1	
$B_1 = \text{New } 12.97 \sim 13.00$	—	—	
$B_2 = \text{New } 10.97 \sim 11.00$	—	—	
$D = \text{New } 450.000 \sim 450.097$	—	453.2	Cyl. liner inside dia.